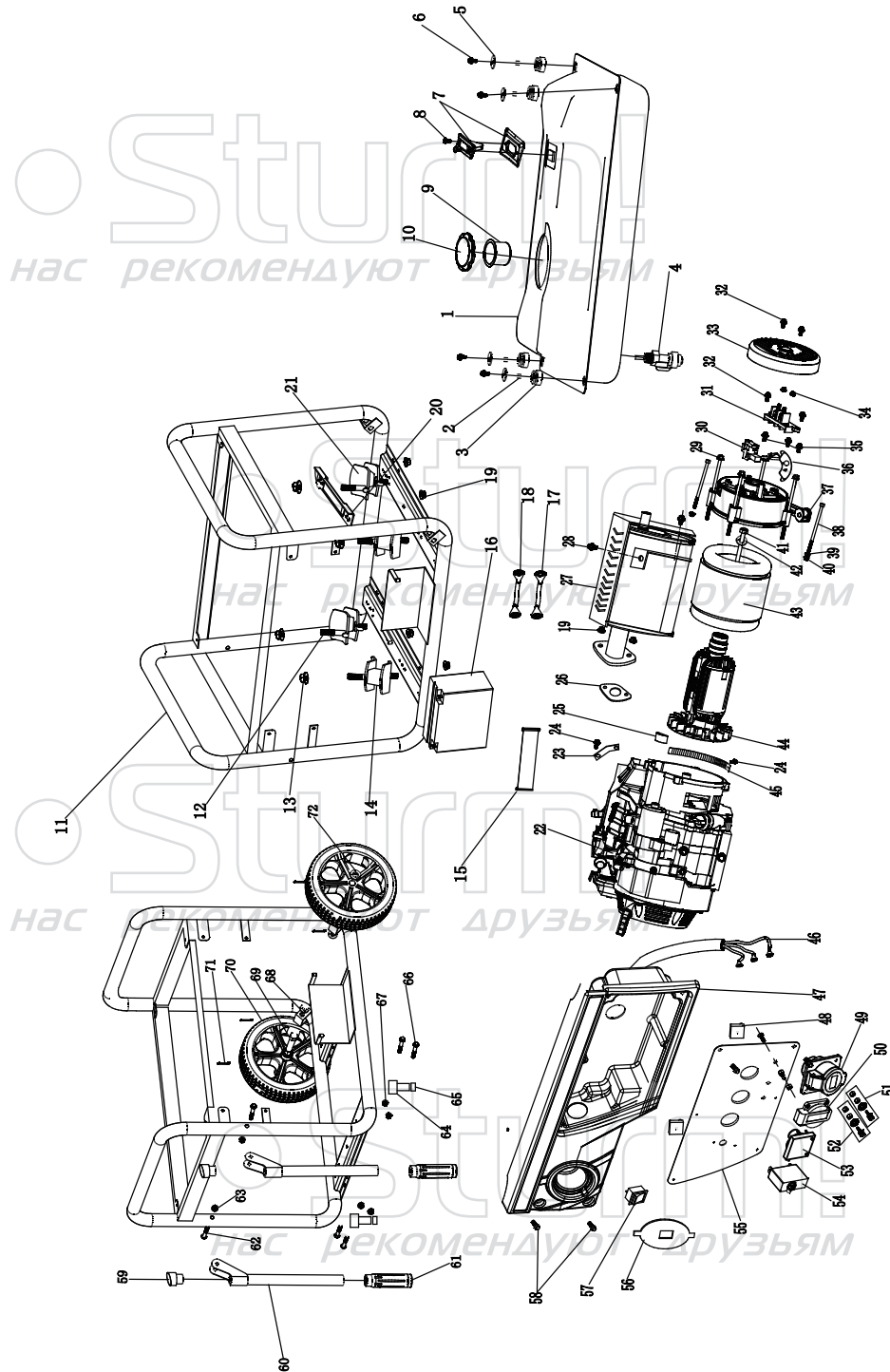
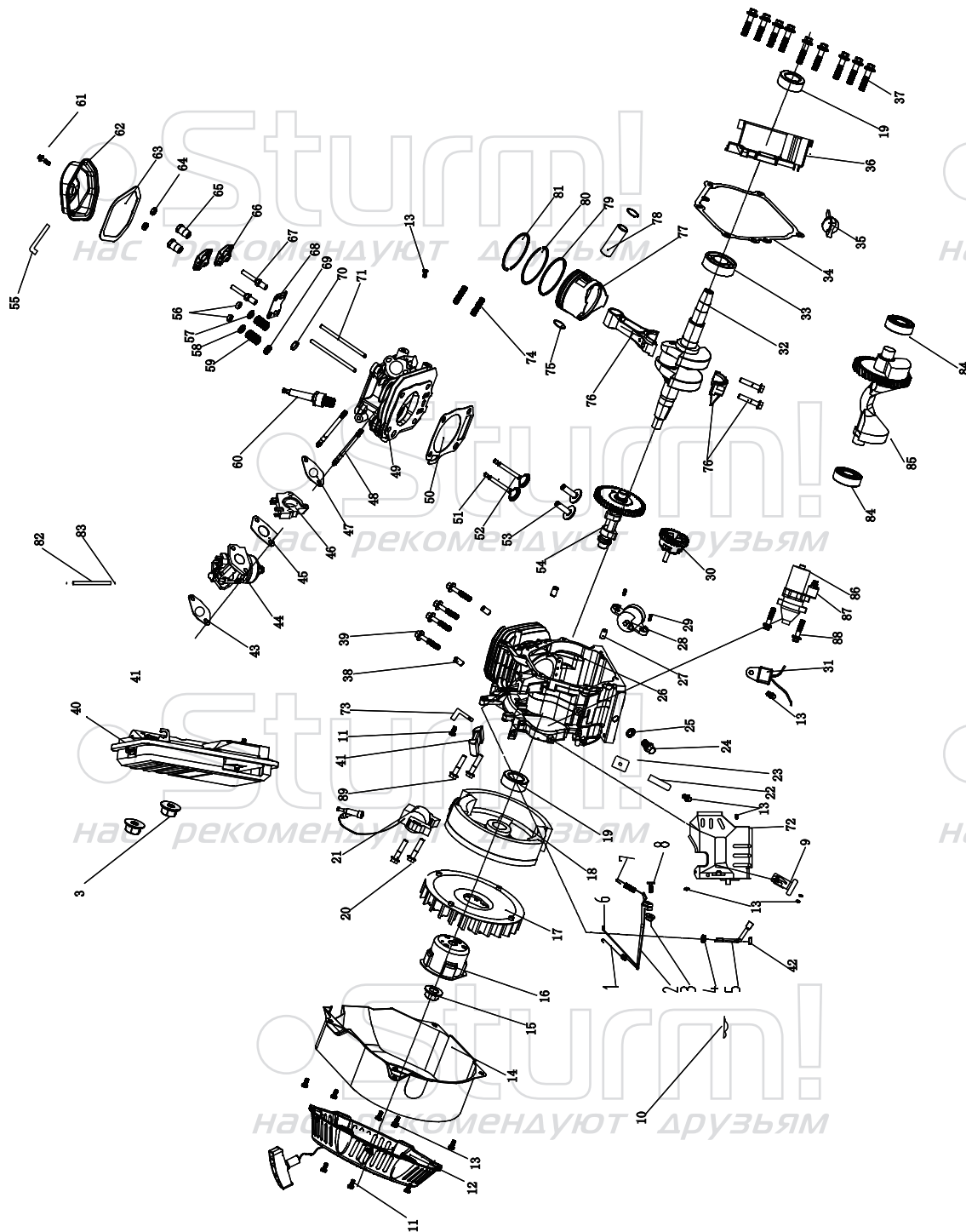


PG8780NE



NO.	DESCRIPTION	SPEC.	NO.	DESCRIPTION	SPEC.
1	FUEL TANK		38	STATOR FIXING BOLT	M5
2	BUSHING	Φ8.7XΦ12.2	39	STANDARD SPRING WASHER	Φ5
3	OIL TANK DAMPING RUBBER PAD	Φ12XΦ14X12	40	STATOR FIXING NUT	M5
4	FUEL CONTROL VALVLE		41	ROTOR BOLT	M10
5	FLAT WASHER	Φ6XΦ22X2	42	FLAT WASHER	Φ10XΦ32X4
6	BOLT	M6	43	STATOR	
7	FUEL METER		44	ROTOR	
8	CROSS RECESSED CONTERSUNK HEAD SCREW	M5	45	WIND SCOOPER	
9	FUEL FILTER		46	PANEL MAIN WIRE HARNESS ASSEMBLY	
10	FUEL TANK CAP		47	PANEL REAL COVER	
11	FRAME		48	RECTIFIER BRIDGE	
12	SHOCHPROOF FOOT(RIGHT)		49	POWER SOCKET ASSEMBLY	
13	NUT-FINE THREAD	M10	50	POWER SOCKET ASSEMBLY	
14	SHOCHPROOF FOOT(LEFT)		51	TERMINAL	
15	BATTERY BAND		52	TERMINAL	
16	BATTERY		53	VOLTMETER	
17	NEGATIVE LINE	4.0	54	SINGLE POLE CIRCUIT BREAKER	
18	POSITIVE LINE	4.0	55	CONTROL PANEL BODY	
19	NUT	M8	56	CONTROL PANEL BODY (SWITCH BOTTOM PLATE)	
20	ALTERNAOR BRACKET DAMPER BLOCK		57	SWITCH ASSEMBLY(ELECTRIC)	
21	SHOCHPROOF FOOT(RIGHT)		58	BOLT	M6
22	UNIT POWER		59	HAND TUBE SUPPORT	Φ25
23	AIR FILTER BRACKET		60	HAND TUBE	Φ25
24	BOLT	M6	61	HAND TUBE RUBBER COVER	Φ25
25	ALTERNATOR RIGHT COVER STOPPER		62	BOLT	M8
26	EX-HAUST GASKET		63	ALL-METAL NUT	M8
27	MUFFLER		64	SUPPORT FOOT	Φ25
28	BOLT	M8	65	SUPPORT FOOT RUBBER COVER	Φ25
29	STATOR BOLT	M6	66	BOLT	M6
30	CARBON BRUSH		67	NUT	M6
31	TERMINAL		68	FLAT WASHER	Φ12XΦ24X2
32	BOLT	M5	69	FRONT WHEEL AXLE	
33	REAL COVER		70	THE FRONT WHEEL	
34	NUT	M5	71	COTTER PIN	
35	BOLT	M5	72	FLAT WASHER	Φ16XΦ30X2
36	AVR				
37	ALTERNATOR BRACKET				

PG8780NE-EX-CK03P2020001



ENGINE FOR PG8780NE

NO.	DESCRIPTION	SPEC.	NO.	DESCRIPTION	SPEC.
1	RESET SPRING,(THROTTLE VAVLE)		46	INSULATION BOARD (CARBURETOR)	
2	CONTROL ASSEMBLY		47	AIR INLET GASKET	
3	NUT	M6	48	DOUBLE-SCREW BOLT	M6XM8X110
4	CONNECTING ROA OIL SEAL	Ø8x14x4	49	CYLINDER HEAD	
5	GOVERNOR ARM		50	CYLINDER HEAD GASKET	
6	GOVERNING PULL ROD		51	INTAKE VAVLE	
7	GOVERNING SPRING		52	EXHAUST VAVLE	
8	FIXING BOLT OF SPEED CONTROL BRACKET		53	VAVLE LIFTER	
9	OIL CONTROL SET		54	CAMSHAFT ASSEMBLY	
10	COTTER PIN		55	WASTE PIPE	Ø10.5XØ15
11	BOLT	M6	56	VALVE ADJUSTING CAP	
12	RECOIL STARTER		57	EXHAUST VAVLE SPRING SEAT	
13	BOLT	M6	58	EXHAUST VAVLE SPRING SEAT	
14	RECOIL STARTER		59	VAVLE SPRING	
15	NUT	M16	60	SPARK PLUG	
16	STARTING PULLEY		61	CYLINDER HEAD BOLT ASSEMBLY	
17	FLY WHEEL		62	CYLINDER HEAD COVER	
18	FLY WHEEL SET		63	CYLINDER HEAD GASKET	
19	OIL SEAL	Ø35XØ52X7	64	NUT	
20	BOLT	M6	65	NUT	
21	IGNITOR COIL		66	VAVLE ROCKER ARM	
22	WIRE CLAMP	10X100	67	ROCKER SHAFT BOLT	
23	RUBBER STOPPER		68	PLATE PUSH GUIDE	
24	BOLT	M12X1.5X15	69	OIL SHIELD	
25	GASKET	Ø12XØ21X2	70	VALVE SPRING SEAT	
26	CRANKCASE		71	VAVLE LIFTER	
27	LOCATION PIN	Ø8X14	72	CYLINDER HEAD WIND SCOOPER	
28	OIL ALERT		73	CHARGING COIL CLAMP	
29	BOLT	M6	74	DOUBLE-SCREW BOLT	M8
30	GOVERNOR GEAR SET		75	CLIP(PISTON PIN)	
31	OIL PROTECTOR		76	CONNECTING ROD	
32	CRANKSHAFT		77	PISTON	
33	DEEP GROOVE BALL BEARING		78	PISTON PIN	
34	GASKET(CRANKSHAFT)		79	PISTON RING	
35	OIL GUAGE SET		80	PISTON RING	
36	CRANKCASE COVER		81	PISTON RING	
37	BOLT	M8	82	FUEL PIPE	Ø4XØ8
38	LOCATION PIN	Ø12X20	83	CLAMP(FUEL PIPE)	Ø8
39	CYLINDER HEAD BOLT	M10	84	DEEP GROOVE BALL BEARING	
40	AIR CLEANER ASSY		85	BALANCE SHAFT	
41	CHARGING COIL		86	STARTING MOTOR	
42	GOVERNOR ROD GASKET	Ø8.4X19.5X0.8	87	STARTING RELAY	
43	GASKET(AIR CLEANER)		88	BOLT	M8
44	CARBURETOR		89	BOLT	M6
45	GASKET(CARBURETOR)				